

**SPEC:**

**A. Material:**

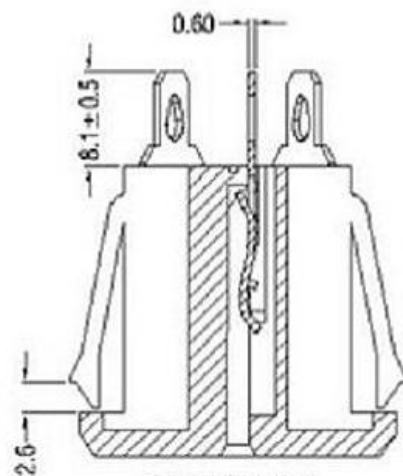
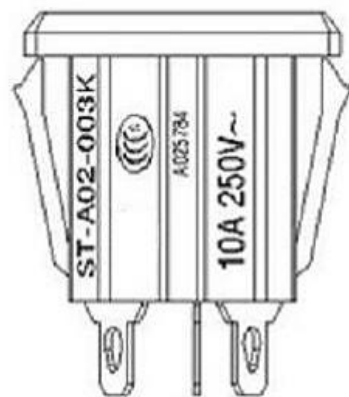
- 1. Housing: PA66
- 2. Terminal: COPPER ALLOY, TIN PLATED

**B. Electrical Characteristics:**

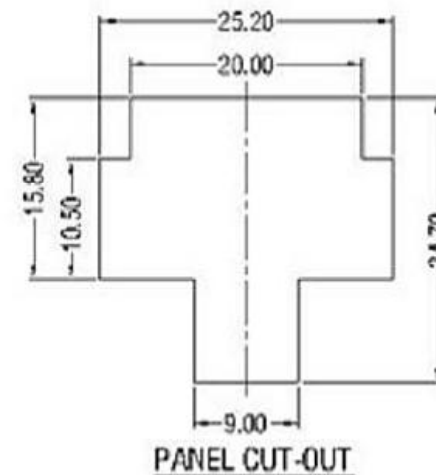
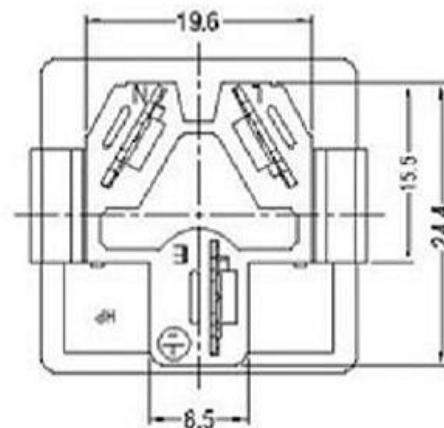
- 1. Rating: 10A 250V~
- 2. Electric Strength: AC 2,000 V FOR ONE MINUTE
- 3. Insulation Resistance: 100MΩ MIN, AT 500V DC

**C. Approvals:**

CCC



SECTION: A-A



				普通公差 COMMON TOLERANCE :	 <b>东莞市高迪电子有限公司</b>					
				UP TO 5      ±0.20					单位	mm
				ABOVE 5 TO 30      ±0.30	绘图	林晓良	核对		型号	
				ABOVE 30      ±0.50	日期	19.08.12	核准		料号	KD-AC电源插座
REV.	DATE	REVISION DESCRIPTION	ISSUE	ANGULAR      ±5°			APPROVAL BY		PART NO.	